



ATEN

HDMI Solutions >

conetica
LA CONEXIÓN

CONETICA INFORMÁTICA S.L.U.
Calle Marina, 134, C.P. 08013 Barcelona
Tel Línea directa: +34 902 121 161 - Tel: +34 934 359 530
E-mail: conetica@conetica.es - www.conetica.es

www.aten.com



➤ HDMI Solutions from ATEN

HDMI (High Definition Multimedia Interface) is a digital interface used in high-end consumer electronics such as DVD players, PC's, Camcorders, Cable boxes, and Video Game Consoles. The ATEN HDMI standard cable not only offers the smallest connectors, but it also combines high definition audio & video signals in one cable. HDMI is quickly replacing traditional analog devices and as the higher quality digital alternative it has become the most popular technology for multimedia driven consumer electronic devices.

ATEN HDMI solutions give you 100% HDMI transmission with pixel-by-pixel image reproduction for smooth, brilliant sharp HD images. The HDMI Deep Color format supports almost doubles the colors of standard RGB, so you can experience the same vibrant colors found in nature with absolute clarity. With full support for Dolby TrueHD and DTS-FD Master Audio streams, ATEN HDMI solutions offer you the ultimate in digital audio demanded by today's high-end multimedia installations. Plus multi-channel audio for crisp, taut sounds.

➤ Why Try ATEN HDMI?

➤ HDMI Certified

ATEN is a member of the official HDMI Association certifying that all HDMI products we sell are tested to be 100% compliant with HDMI standards.

➤ Stable Long Distance Transmission

ATEN HDMI products provide transmission of audio and video signals over long distances, which do not deteriorate. With real, ultra high transmission quality and interference suppression, ATEN's HDMI fiber range supports distances up to 20 km.

➤ True Picture – Real Performance

All ATEN HDMI products provide true HDMI digital audio and video, and support all HDMI standards and high resolutions up to 4K. ATEN HDMI products allow you to build high-end, cost-effective HDMI installations that are highly competitive in both quality and price.

➤ FPGA (Field – Programmable Gate Array) Design Benefits

Implementation of the FPGA design allows TMDS signals to be rearranged when transmitting high-speed data. This is used by the HDMI video interfaces, as well as other digital communication interfaces. Consequently, this benefit brings our video products extends digital signals to longer distances.

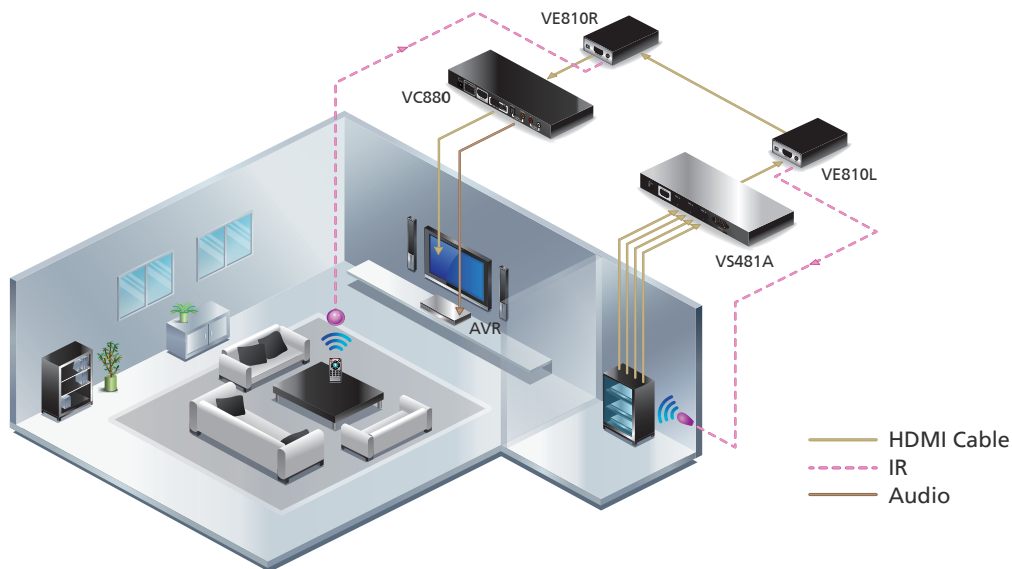


➤ ATEN HDMI Solutions for Professional Applications

➤ Home Theater

The ultimate home theater design has the A/V source equipment installed in a dedicated area – away from the theater area. This elevates the aesthetic of the room and creates an intimate, cozy, media experience.

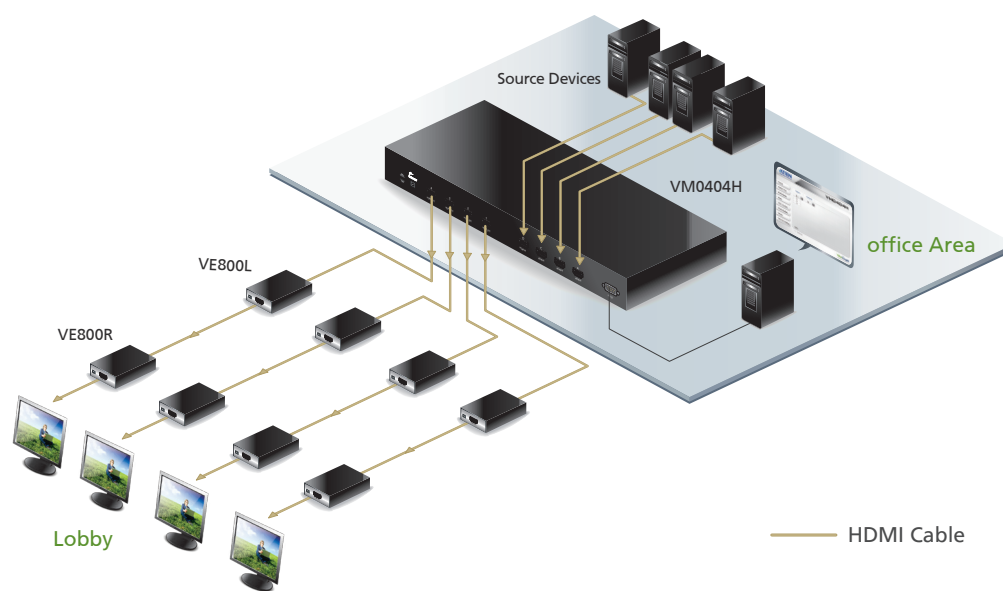
By integrating a VanCryst™ VS481A, VE810 and VC880 into their setup, users are able to extend the distance between the source devices and the TV and speakers, without sacrificing the quality of the A/V signals. They also have the convenience of selecting any of their A/V input sources (DVD player, set-top box, game console, etc.) without ever having to leave their seat, thanks to the IR control unit.



➤ Lobby / Showroom

A company wanted to present to clients a variety of product and promotional information. To achieve this, the company installed LCD TVs and overhead projectors at various locations in their lobby, reception areas and showrooms.

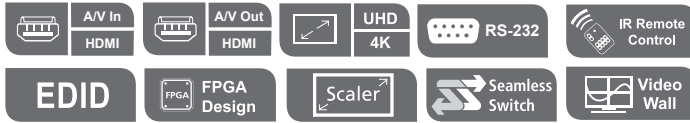
By deploying a VanCryst™ VM0404H Video Matrix Switch and VE800 Video Extenders, they could keep the A/V source devices in the office area for easy management, while having different A/V output from each of the sources shown on the display (lobby, reception area or showroom), that was most appropriate to the information being presented.



HDMI Matrix Switches

VM6404H 4x4 4K HDMI Matrix Switch with Scaler

PRO



- Connects any of 4 HDMI sources to any of 4 HDMI displays
- HDMI (3D, Deep Color, 4K); HDCP 2.2 Compatible
- [Scaler](#) – features a video scaling function to integrate a video wall seamlessly with various output video formats*
- [Seamless Switch™](#) – features close-to-zero second switching that provides continuous video streams, real-time switching and stable signal transmissions*
- [Video Wall](#) – features up to 8 video wall profiles for custom screen layouts via point-n-click web GUI*
- [EDID Expert](#) – configures optimum EDID settings for smooth power-up, high-quality display and use of the best resolution across different screens

* If Seamless Switching is enabled, the video output will not display 3D, Deep Color or interlace (i.e., 1080i) resolutions. To make these features available, you must disable Seamless Switching.



VM5404H / VM5808H 4x4 / 8x8 HDMI Matrix Switch with Scaler

PRO



- Connects any of 4/8 HDMI sources to any of 4/8 HDMI displays
- HDMI (3D, Deep Color); HDCP Compatible
- [Scaler](#) – features a video scaling function to integrate a video wall seamlessly with various output video formats*
- [Seamless Switch™](#) – features close-to-zero second switching that provides continuous video streams, real-time switching and stable signal transmissions*
- [Video Wall](#) – features up to 8/16 video wall profiles for custom screen layouts via point-n-click web GUI
- [EDID Expert](#) – configures optimum EDID settings for smooth power-up, high-quality display and use of the best resolution across different screens
- ESD protection for HDMI
- Bi-directional RS-232 serial port for control and configuration

* If Seamless Switching is enabled, the video output will not display 3D, Deep Color or interlace (i.e., 1080i) resolutions. To make these features available, you must disable Seamless Switching.



VM0404H 4x4 HDMI Matrix Switch

PRO



- Connects any of 4 HDMI sources to any of 4 HDMI displays
- HDMI (3D, Deep Color); HDCP Compatible
- [EDID Expert](#) – configures optimum EDID settings for smooth power-up, high-quality display and use of the best resolution across different screens
- Power-on detection – switches to next powered-on source when one source is powered off
- Bi-directional RS-232 serial port for control and configuration



> HDMI Matrix Switches

VM0808H 8x8 HDMI Matrix Switch



- Connects any of 8 HDMI sources to any of 8 HDMI displays
- HDMI (3D, Deep Color); HDCP Compatible
- Features EDID Expert technology:
 - EDID Library with 14 default EDID configurations
 - Built-in EDID Mode selection
 - Copies a display's EDID to selected source devices
- [ESD protection for HDMI](#)
- Power-on detection – switches to next powered-on source when one source is powered off
- Bi-directional RS-232 serial port for control and configuration



> HDMI Switches

VS381 3-Port HDMI Switch



- Allows up to three HDMI A/V sources to be connected to one HDMI display
- HDMI (3D, Deep Color); HDCP Compatible
- Front-Panel LED for port and power status
- Plug-and-play – no software installation required
- No power adapter required



VS481A 4-Port HDMI Switch



- Allows up to four HDMI A/V sources to be connected to one HDMI display
- HDMI (3D, Deep Color); HDCP Compatible
- Power-on detection – switches to next powered-on source when one source is powered off
- Bi-directional RS-232 serial port for control and configuration



HDMI Switches

VS481B 4-Port HDMI Switch **PRO**



- Allows up to four HDMI A/V sources to be connected to one HDMI display
- HDMI (3D, Deep Color, 4K); HDCP 2.2 Compatible
- [Auto Switch Mode](#) – allows auto switching to a selected port with priority setting when a source is connected to the port
- Bi-directional RS-232 serial port for control and configuration



VS482 4-Port Dual View HDMI Switch **PRO**



- Allows up to four HDMI A/V sources to be connected to two HDMI displays
- HDMI (3D, Audio Return Channel and Deep Color)
- [EDID Expert](#) – configures optimum EDID settings for smooth power-up, high-quality display and use of the best resolution across different screens
- Extra audio from HDMI input signal that supports both optical and coaxial digital audio and one stereo audio output
- Bi-directional RS-232 serial port for control and configuration
- IR control signal extension – extend the reach of the IR controller by adding an IR receiver unit
- Instant switching between HDMI input sources via front panel pushbuttons or through the RS-232 serial control port
- [Audio Return Channel \(ARC\) function](#) – connect an HDMI cable to the ARC port to send audio from your source device to your audio/video receiver



VS0801H 8-Port HDMI Switch **PRO**



- Allows eight HDMI A/V sources to be connected to one HDMI display
- HDMI (3D, Deep Color); HDCP Compatible
- Power-on detection – switches to next powered-on source when one source is powered off
- Bi-directional RS-232 serial port for control and configuration



> HDMI Splitters

VS182A / VS184A / VS0108HA 2/4/8-Port HDMI Splitter



(VS0108HA)

- Connects one HDMI source to 2/4/8 HDMI displays at the same time
- HDMI (3D, Deep Color, 4K); HDCP Compatible
- EDID Expert – configures optimum EDID settings for smooth power-up, high-quality display and use of the best resolution across different screens
- Bi-directional RS-232 serial port for control and configuration (VS0108HA)



> HDMI Extenders

VE872 / VE873 / VE874 / VE875 HDMI Active Optical Cable

15 m (VE872) 30 m (VE873) 50 m (VE874) 100 m (VE875)



- Converts electrical data signals to optical signals
- HDMI (3D, Deep Color, 4K); HDCP Compatible
- RF/EMI free for clear signal transmission
- Powered remote unit via USB Cable
- High data transfer rates of 10.2 Gbps



VE882 / VE892 HDMI Optical Extender

600 m (VE882) 20 km (VE892)



- Extends the transmission range of HDMI, IR and RS-232 signals using one fiber optic cable
- HDMI (3D, Deep Color), HDCP compatible – signaling rates up to 3.125 Gbits
- Supports bi-directional IR signal transmission, one way at a time
- Bi-directional RS-232 serial port for control and configuration



HDMI Extenders

VE809 HDMI Wireless Extender 30 m



- Setup two HDTVs and view HD content on two HDTVs simultaneously
- Connect and transmit wireless video content from your Blu-ray DVD player, HD Cable box or other HDMI device wirelessly
- HDMI (3D), HDCP Compatible
- Supports full uncompressed HD, 1080P, 3D content and 5.1 channel digital audio
- Wirelessly extend an HDMI display up to 30 m from the HDMI source*
- Based on WHDI™ Technology - Low latency <1ms
- Built-in IR receiver allows control of source devices from the remote side
- Keep home theater electronic devices neatly out-of-sight

Note:* Distance may vary depending on environment; solid objects such as steel, concrete and brick may view shorter distances.



VE829 5 x 2 HDMI Wireless Extender 30 m



- Allows you to switch and independently select any of 5 sources (4 x HDMI connectors, 1 x component connector) between 2 HDTVs
- HDMI (3D), HDCP compatible
- Supports full uncompressed HD, 1080P, 3D content and 5.1 channel digital audio
- Wireless transmission of full uncompressed HD videos up to 30 m* for two HDTVs
- Based on WHDI™ technology – Low latency < 1 ms
- USB HID ports on Transmitter and Receiver units enable wireless keyboard connectivity to control attached computers / laptops

Note:* Distance may vary depending on environment; solid objects such as steel, concrete and brick may view shorter distances.



VE801 HDMI HDBaseT-Lite Extender

VE802 HDMI HDBaseT-Lite Extender with POH 70 m



- Implements HDBaseT extension technology using only one Cat 5e/6a cable to connect the transmitter and receiver
- HDMI (3D, Deep Color, 4K); HDCP Compatible
- Anti-jamming – resists signal interference during high-quality video transmissions using HDBaseT technology
- IR control signal extension – extend the reach of the IR controller by adding an IR receiver unit (VE802)
- **With POH functionality can sending power over Cat 5e/6a cable without additional power supply (VE802)**
- Bi-directional RS-232 serial port for control and configuration (VE802)



HDMI Extenders

VE812 HDMI Over Single Cat 5 Extender 100 m



- Implements HDBaseT extension technology using only one Cat 5e/6a cable to connect the transmitter and receiver
- HDMI (3D, Deep Color, 4K); HDCP Compatible
- Anti-jamming – resists signal interference during high-quality video transmissions using HDBaseT technology
- [EDID Expert – selects the optimum EDID settings for smooth power-up and highest quality display](#)



VE813 HDMI HDBaseT Extender with USB 100 m



- Implements HDBaseT extension technology using only one Cat 5e/6a cable to connect the transmitter and receiver
- HDMI (3D, Deep Color, 4K); HDCP compatible
- Anti-jamming – resists signal interference during high quality video transmissions using HDBaseT technology
- ExtremeUSB® Support – supports all USB 2.0 High Speed device
- Consumer Electronics Control (CEC) Support

Note: The VE813 supports USB transfer rates of up to 30 Mbps.



VE814 HDMI Extender over single Cat 5 with Dual Display 100 m



- Implements HDBaseT extension technology using only one Cat 5e/6a cable to connect the transmitter and receiver
- HDMI (3D, Deep Color, 4K); HDCP Compatible
- [EDID Expert – selects the optimum EDID settings for smooth power-up and highest quality display](#)
- [Supports one local and two remote displays](#)
- Bi-directional RS-232 serial port for control and configuration
- Supports two IR channels for bi-directional IR signal transmission
- Extends Ethernet communication with passthrough port



HDMI Extenders

VE800A HDMI Extender 60 m PRO



- Features ATEN EDID technology that allows transmission over one Cat 5e cable
- HDMI (3D, Deep Color); HDCP Compatible
- 8 segment equalization adjustment switch optimizes display quality



VE803 HDMI USB Extender 60 m



- Uses two Cat 5e cables to connect the local and the remote units
- HDMI (3D, Deep Color); HDCP compatible – signaling rates up to 2.25 Gbits
- [EDID Expert – selects the optimum EDID settings for smooth power-up and highest quality display](#)
- 8 segment equalization adjustment switch optimizes display quality
- Supports USB touch panel
- Transparent USB Support – supports all USB 2.0 full speed device (up to 12 Mbps)
- Powered local unit via USB cable



VE810 HDMI Extender with IR Control 60 m



(VE810R)

- Uses less expensive Cat 5e cables to connect the local and the remote units
- HDMI (3D, Deep Color); HDCP 1.1 compatible
- 8 segment equalization adjustment switch optimizes display quality
- Supports IR signals for remote control
- Either the HDMI device or display can be controlled via IR control
- Non-Powered (only require one power adapter)



VE806 HDMI Over Cat 5 Extender Wall Plate 60 m PRO



- Uses two Cat 5e cables to connect the local and remote units – one to transmit video and audio; and another for power*
- Remotely powered from either the Transmitter or Receiver side**
- HDMI (3D, Deep Color); HDCP Compatible
- 8 segment equalization adjustment switch optimizes display quality
- Decora type design is easily configurable to fit various wall plates
- LED indication of power sources / connection status

Note:

* The second Cat 5e cable connection is required to remotely power on either the Transmitter or Receiver.

** A power adapter is provided with this package, and can be used at either the Transmitter or Receiver side, which in turn remotely powers the other unit.



Video Converters

VC840 HDMI to 3G/HD/SD-SDI Converter



- Converts an HDMI input signal to 3G/HD/SD-SDI formats in real time while avoiding transformation loss for both audio and video signals
- HDMI (Deep Color)
- Supports an SDI distance of up to 90M (3G-SDI), 150M (HDSDI) or 300M (SD-SDI) of RG6
- Supported SDI formats:
 - SD-SDI (SMPTE 259M, up to 270 Mbps)
 - HD-SDI (SMPTE 292M, 296M, up to 1.485 Gbps)
 - 3G-SDI (SMPTE 424M, 425M level A, up to 2.97 Gbps)
- Supports 8 audio channels @48 KHz rate
- Offers 2 low-jitter SDI outputs for dual display
- Selectable EDID settings and EDID learning mode



VC812 HDMI to VGA Converter with Scaler **PRO**



- Converts HDMI signals to VGA output
- Features a built in high-performance scaler function for best image quality
- **Scaler – a premium scaling engine that converts various input video resolutions into the display's native resolution, while adjusts picture ratio automatically for maximum viewing comfort**
- 3D Deinterlacing – increases image clarity for ultimate viewing quality by processing and scanning digital video signals
- Features a superior de-interlacer function for smooth video playback quality
- Integrated superior video noise reduction
- Integrated next generation color engine – automatic picture quality/color adjustment and enhancement



VC810 HDMI to VGA Converter



- Converts HDMI signals to VGA output
- Supports wide screen formats
- Non-powered



Video Converters

VC480 3G/HD/SD-SDI to HDMI Converter



- Converts an 3G/HD/SD-SDI input signal to HDMI formats in real time while avoiding transformation loss for both audio and video signals
- HDMI (Deep Color)
- Supports an SDI distance of up to 90M (3G-SDI), 150M (HDSDI) or 300M (SD-SDI) of RG6
- Supported SDI formats:
 - SD-SDI (SMPTE 259M, up to 270 Mbps)
 - HD-SDI (SMPTE 292M, 296M, up to 1.485 Gbps)
 - 3G-SDI (SMPTE 424M, 425M level A,B, up to 2.97 Gbps)
- Buffered loop-through output provides extended monitoring
- Supports 8 audio channels @48 KHz rate



VC182 VGA to HDMI Converter with Scaler



- Converts VGA signals to HDMI output
- Features a built in high-performance scaler function for best image quality
- **Scaler – a premium scaling engine that converts various input video resolutions into the display's native resolution, while adjusts picture ratio automatically for maximum viewing comfort**
- 3D Deinterlacing - increases image clarity for ultimate viewing quality by processing and scanning digital video signals
- Features a superior de-interlacer function for smooth video playback quality
- Integrated superior video noise reduction
- Integrated next generation color engine – automatic picture quality/color adjustment and enhancement



VC180 VGA to HDMI Converter with Audio



- Converts VGA signals to HDMI output
- Supports analog stereo audio input
- **Screen Position Button – screen position settings can be stored for each output resolution**
- Supports dual power sources: VGA port or power adapter (in case the VGA port cannot provide sufficient power)
- Automatically detects video input signals

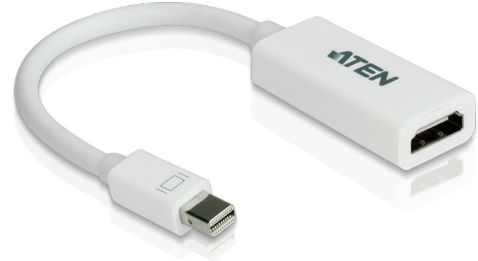


Video Converters

VC980 Mini DisplayPort to HDMI Adapter



- Converts mini DisplayPort signals to HDMI output
- Supports Mac Products including MacBook, MacBook Pro, MacBook Air, Mac mini and Mac Pro
- Supports Dolby True HD and DTS HD Master Audio
- Audio enabled



VC880 HDMI Repeater Plus Audio De-embedder

PRO



- Repeats HDMI input signal up to 15 meters
- HDMI (3D); HDCP compatible
- Extracts HDMI audio signal and outputs as additional audio source
- Supports optical / coaxial digital audio and analog stereo audio
- CH2/CH5.1/Auto mode audio channel selection
- Supports Audio on/off switch for HDMI output



VC080 HDMI EDID Emulator



- HDMI (3D, Deep Color), HDCP compatible
- [EDID Expert – features an EDID Wizard that allows configurations of optimum EDID settings for smooth power-up, high-quality display and use of the best resolution](#)
- Signaling rates up to 2.25 Gbits in support of 1080p display
- Consumer Electronics Control (CEC) allows interconnected HDMI devices to communicate and respond to one remote control



HDMI Products At a Glance

Video Matrix Switches					
Model	VM6404H	VM5404H	VM5808H	VM0404H	VM0808H
Input to Outputs	4 to 4	4 to 4	8 to 8	4 to 4	8 to 8
Max. Video Resolution	4K@60 Hz (4:2:0)	1080 p	1080 p	1080 p	1080 p
Scaler	•	•	•		
Video Wall	•	•	•		
Seamless Switch	•	•	•		
RS-232 Control	•	•	•	•	•
IR Remote Control	•	•	•	•	•
EDID Wizard	•	•	•		
Max. Distance	15 m	15 m	15 m	15 m	15 m
Max. Bandwidth	340 MHz	225 MHz	225 MHz	225 MHz	225 MHz
Power Consumption	120V, 47.6W; 230V, 47.5W	120V, 36.6W; 30V, 37.5W	120V, 60W; 230V, 62W	DC5.3V, 9W	120V, 32W; 230V, 34W
Housing	Metal				
Weight	5.02 kg	4.10 kg	4.03 kg	1.86 kg	4.01 kg
Dimensions (L x W x H)	43.24 x 35.23 x 4.40 cm	43.20 x 26.20 x 4.40 cm	43.20 x 26.20 x 4.40 cm	43.70 x 15.96 x 4.40 cm	43.24 x 27.12 x 4.40 cm

Video Switches					
Model	VS381	VS481A	VS481B	VS482	VS0801H
Input to Outputs	4 to 1	4 to 1	4 to 1	4 to 2	8 to 1
Max. Video Resolution	1080 p	1080 p	4K@60 Hz (4:2:0)	1080 p	1080 p
Power On Detection		•			•
RS-232 Control		•	•	•	•
IR Remote Control	•	•	•	•	•
Max. Distance	15 m	15 m	15 m	15 m	15 m
Max. Bandwidth	225 MHz	225 MHz	300 MHz	225 MHz	225 MHz
Power Consumption	DC5.3V, 2.4W	DC5.3V, 2.4W	DC5V, 5W	DC5.3V, 6.95W	DC5.3V, 3.71W
Housing	Metal				
Weight	0.47 kg	0.47 kg	0.47 kg	2.16 kg	1.75 kg
Dimensions (L x W x H)	20.00 x 8.27 x 2.50 cm	20.00 x 8.27 x 2.50 cm	20.00 x 8.25 x 2.50 cm	43.72 x 15.86 x 4.40 cm	43.70 x 15.97 x 4.40 cm

Video Splitters & Extenders							
Model	VS182A	VS184A	VS0108HA	VE872	VE873	VE874	VE875
Input to Outputs	1 to 2	1 to 4	1 to 8	1 to 1	1 to 1	1 to 1	1 to 1
Max. Video Resolution	4K@60Hz (4:2:0)	4K@60Hz (4:2:0)	4K@60Hz (4:2:0)	4K	4K	4K	4K
RS-232 Control			•				
Max. Distance	15 m	15 m	15 m	15 m	30 m	50 m	100 m
Max. Bandwidth	340 MHz	340 MHz	340 MHz	340 MHz	340 MHz	340 MHz	340 MHz
Power Consumption	DC5.3V, 2.0W	DC5.3V, 4.6W	DC5V, 14.84W	DC5V, 1W	DC5V, 1W	DC5V, 1W	DC5V, 1W
Housing	Metal						
Weight	0.31 kg	0.47 kg	1.74 kg	0.02 kg	0.03 kg	0.36 kg	0.71 kg
Dimensions (L x W x H)	12.50 x 8.00 x 2.50 cm	20.00 x 8.00 x 2.50 cm	43.72 x 15.78 x 4.40 cm	N/A	N/A	N/A	N/A

HDMI Products At a Glance

Video Extenders				
Model	VE882	VE892	VE809	VE829
Input to Outputs	1 to 1	1 to 1	2 to 1	5 to 2
Max. Resolution / Distance	1080p@600 m	1080p@20 km	1080p@30 m	1080p@30 m
IR Channel	•	•	•	•
RS-232 Channel	•	•		
Max. Bandwidth	225 MHz	225 MHz	225 MHz	225 MHz
Power Consumption	DC5.3V, 5.6W	DC5.3V, 5.1W	VE809T: DC5V, 10W; VE809R: DC5V, 7.5W	VE829T: DC5V, 9.5W; VE829R: DC5V, 6.7W
Housing	Metal			Plastic
Weight	0.42 kg	0.42 kg	VE809T: 0.21 kg, VE809R: 0.13 kg	VE829T: 0.30 kg, VE829R: 0.13 kg
Dimensions (L x W x H)	14.69 x 10.30 x 3.00 cm	14.69 x 10.30 x 3.00 cm	VE809T: 18.20 x 9.65 x 3.15 cm VE809R: 9.50 x 9.50 x 3.15 cm	VE829T: 23.40 x 9.65 x 3.25 cm VE829R: 9.50 x 9.50 x 3.55 cm

Video Extenders					
Model	VE801	VE802	VE812	VE813	VE814
Input to Outputs	1 to 1	1 to 1	1 to 1	1 to 1	1 to 2
Max. Resolution / Distance	4K@35 m (Cat 5e/6) / 40 m (Cat 6a)	4K@35 m (Cat 5e/6) / 40 m (Cat 6a)	4K@70 m (Cat 5e/6)	4K@70 m (Cat 5e/6) / 100 m (Cat 6a)	4K@70 m (Cat 5e/6) / 100 m (Cat 6a)
IR Channel		•			•
RS-232 Channel		•			•
USB Channel				•	
Max. Bandwidth	340 MHz	340 MHz	340 MHz	340 MHz	340 MHz
Power Consumption	VE801T: DC5V, 1.85W; VE801R: DC5V, 4.23W	VE802T: DC5V, 3.6W; VE802R: DC5V, 4W	VE812T: DC5.3V, 1.9W; VE812R: DC5.3V, 4.5W	VE813T: DC5V, 5.75W; VE813R: DC5V, 13.25W*	VE814T: DC5.3V, 8.5W; VE814R: DC5.3V, 13.3W
Housing	Metal				
Weight	VE801T: 0.24 kg, VE801R: 0.25 kg	VE802T: 0.44 kg, VE802R: 0.46 kg	0.43 kg	0.61 kg	0.43 kg
Dimensions (L x W x H)	10.31 x 8.70 x 3.00 cm	14.49 x 12.30 x 3.00 cm	14.17 x 10.30 x 3.00 cm	18.20 x 11.61 x 2.87 cm	14.17 x 10.30 x 3.00 cm

Note: For the VE813R, power consumption will be 13.25W when all 3 USB connectors are occupied.

Video Extenders				
Model	VE800A	VE803	VE810	VE806
Input to Outputs	1 to 1	1 to 1	1 to 1	1 to 1
Max. Resolution / Distance	1080 p@40 m; 1080i@60 m	1080 p@40 m; 1080i@60 m	1080 p@40 m; 1080i@60 m	1080 p@40 m; 1080i@60 m
IR Channel			•	
USB Channel		•		
Video Quality Control	Equalization Adjustment	Equalization Adjustment	Equalization Adjustment	Equalization Adjustment
Max. Bandwidth	225 MHz	225 MHz	225 MHz	225 MHz
Power Consumption	VE800AT: DC5V, 1W; VE800AR: DC5V, 0.75W	VE803L: DC5V, 1W; VE803R: DC5V, 3.9W	VE810L: DC5V, 1.52W; VE810R: DC5V, 1.35W	DC9V, 2.9W
Housing	Metal			
Weight	0.16 kg	0.16 kg	0.15 kg	0.17 kg
Dimensions (L x W x H)	9.00 x 5.50 x 2.40 cm	9.00 x 5.74 x 2.40 cm	9.00 x 5.76 x 2.40 cm	10.11 x 4.44 x 4.40 cm

HDMI Products At a Glance

Video Converters					
Model	VC840	VC812	VC810	VC480	VC182
Input to Outputs	HDMI to SDI	HDMI to VGA	HDMI to VGA	SDI to HDMI	VGA to HDMI
Max. Video Resolution	2048 x 1080	1920 x 1200	1920 x 1200	2048 x 1080	1920 x 1200
Audio	•	•		•	•
Scaler		•			•
Power Consumption	DC5V, 3.5W	DC5V, 10W	N/A	DC5V, 10W	DC5V, 5W
Housing	Metal	Metal	Plastic	Metal	Metal
Weight	0.29 kg	0.29 kg	0.01 kg	0.29 kg	0.31 kg
Dimensions (L x W x H)	12.22 x 10.70 x 3.04 cm	11.00 x 8.30 x 2.80 cm	4.55 x 2.30 x 1.48 cm	12.30 x 10.87 x 3.05 cm	11.00 x 8.30 x 2.80 cm

Video Converters				
Model	VC180	VC980	VC380	VC080
Input to Outputs	VGA to HDMI	Mini DisplayPort to HDMI	HDMI	HDMI
Max. Video Resolution	1080 p	1920 x 1200	1920 x 1080	1920 x 1200
Audio	•	•	•	•
RS-232 Channel				•
EDID Wizard				•
Power Consumption	DC5.3V, 3.2W	N/A	DC5.3V, 0.8W	DC5V, 0.15W
Housing	Metal	Plastic	Metal	Metal
Weight	0.15 kg	0.06 kg	0.46 kg	0.15 kg
Dimensions (L x W x H)	7.90 x 7.46 x 2.44 cm	12.00 x 2.10 x 1.80 cm	20.00 x 8.20 x 2.50 cm	7.90 x 7.16 x 2.45 cm



ATEN International Co., Ltd.

3F., No.125, Sec. 2, Datong Rd., Sijhih District., New Taipei City 221, Taiwan
Tel: +886-2-8692-6789 Fax: +886-2-8692-6767 E-mail: marketing@aten.com



© Copyright 2015 ATEN® International Co., Ltd.
ATEN and the ATEN logo are trademarks of ATEN International Co., Ltd. All rights reserved. All other trademarks are the property of their respective owners.

Printed 03/2015 V1.0

