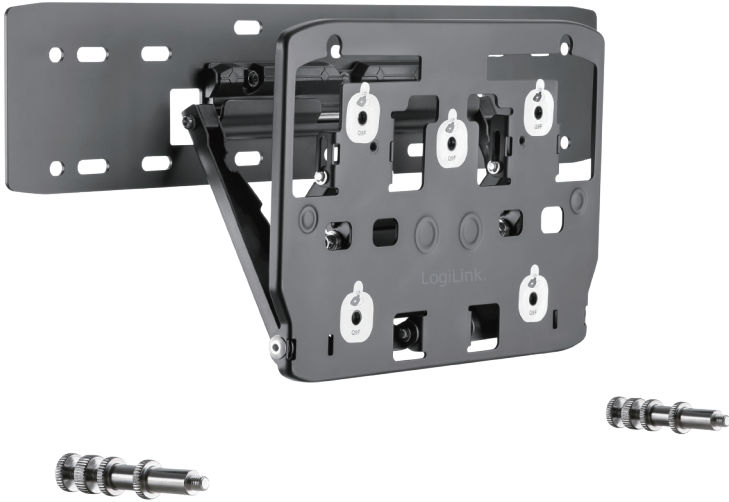


LogiLink®

Tilt TV Wall Mount
For 75" SAMSUNG® QLED TV

Art. No.: BP0082



Mount and secure large QLED TV on wall while maintaining the minimalist appearance of your TV.



Micro Gap Design

Gains more space and adds a modern look to your house.

Detachable Panel.



Toolless Tilting

Toolless tilting for the optimal viewing position.

Best Connectivity



* The specifications and pictures are subject to change without notice.
* All trade names referenced are the registered trademark of their respective owners.



BP0082



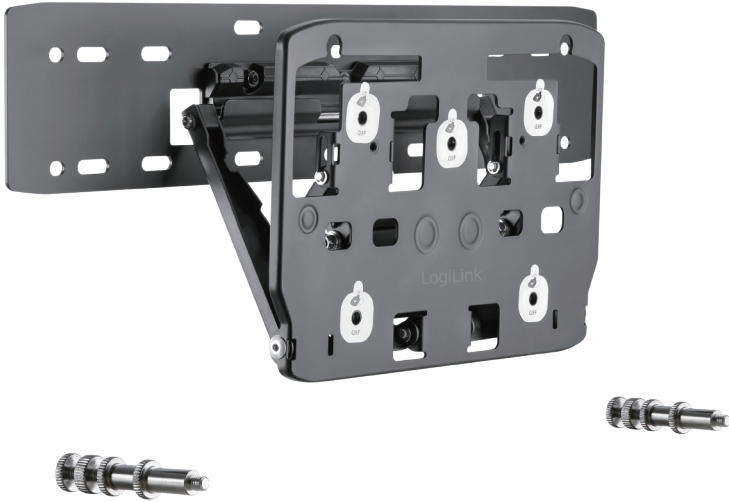
4 052792 055474

Made in China

LogiLink®

Tilt TV Wall Mount
For 75" SAMSUNG® QLED TV

Art. No.: BP0082



Various Positions for Profile Adjustment

Allow TV to be viewed comfortably.



Best Connectivity



RoHS
compliant



* The specifications and pictures are subject to change without notice.
* All trade names referenced are the registered trademark of their respective owners.



BP0082



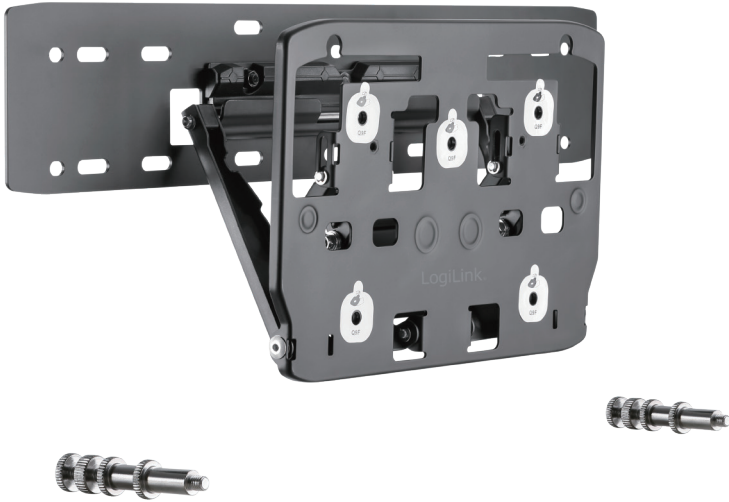
4 052792 055474

Made in China

LogiLink®

Tilt TV Wall Mount For 75" SAMSUNG® QLED TV

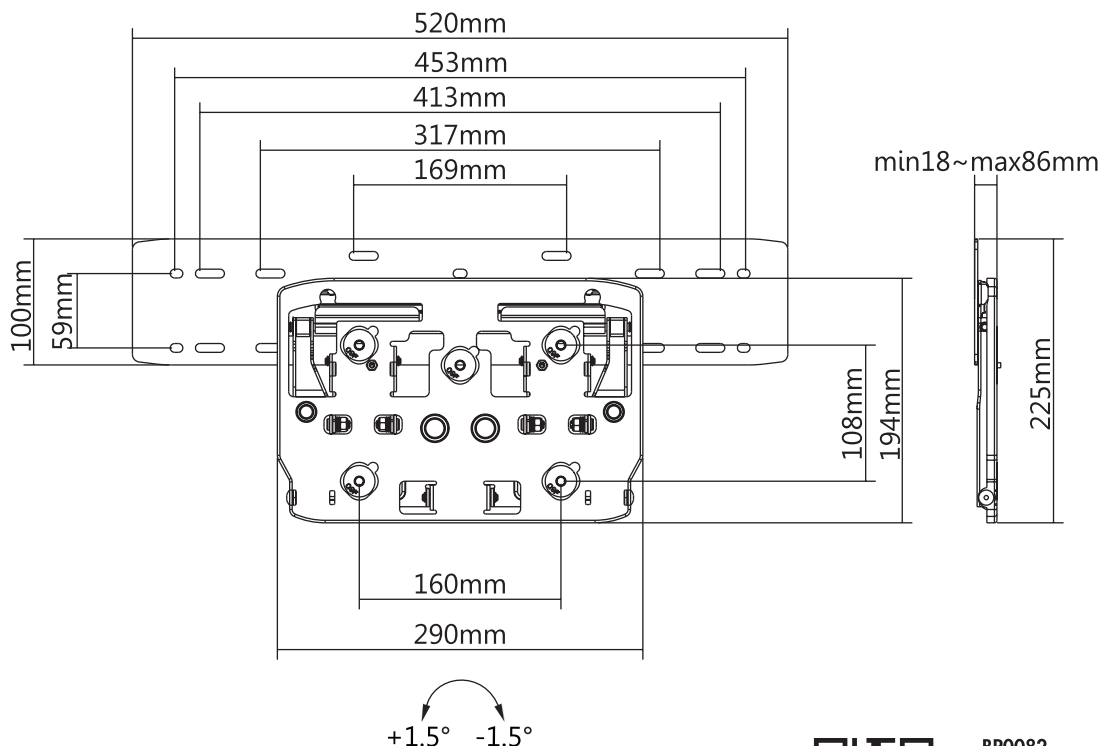
Art. No.: BP0082



Specification:

Screen Size	75" SAMSUNG® QLED TV
Weight Capacity	50kg/110lbs
VESA	160x108mm
Profile	18-86mm
Screen Level	-1.5°~1.5°
Material	Steel, Plastic
Color	Black
Product Size	86 x 520 x 225mm

Technical Drawing:



BP0082



RoHS
compliant



* The specifications and pictures are subject to change without notice.
* All trade names referenced are the registered trademark of their respective owners.

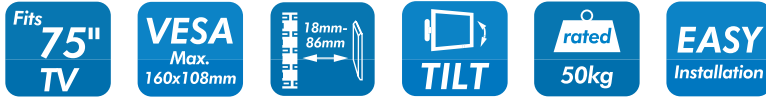
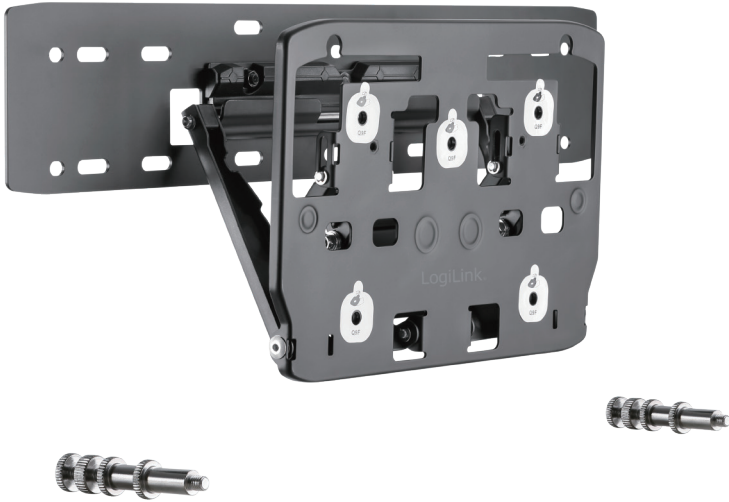
Made in China

Best Connectivity

LogiLink®

Tilt TV Wall Mount For 75" SAMSUNG® QLED TV

Art. No.: BP0082

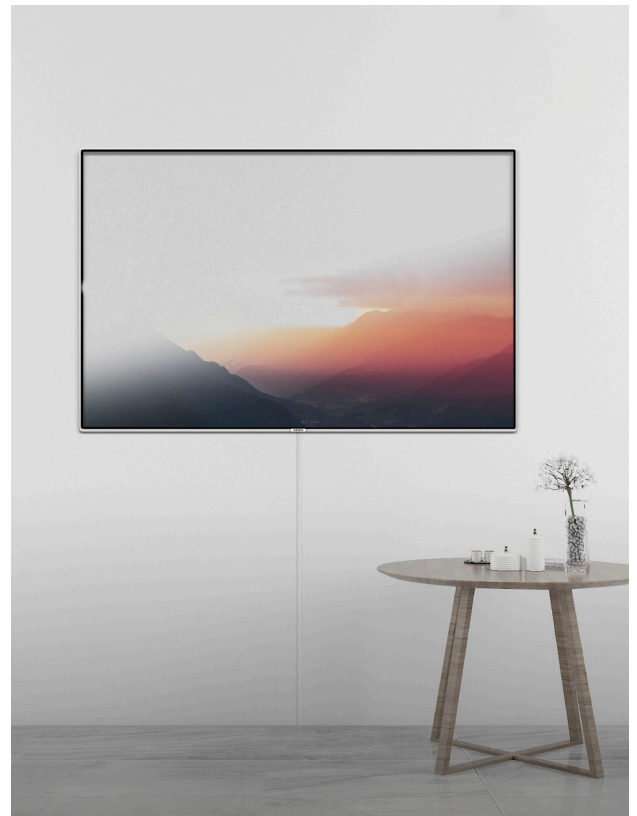


Package Content:

- » 1 x TV Wall Mount
- » 1 x Screw Package
- » 1 x User Manual

Package Information:

- » Packing Dimension: 565 x 205 x 60mm
- » Packing Weight: 2.23kg
- » Carton Dimension: 580 x 430 x 265mm
- » Carton Q'ty: 8pcs
- » Carton Weight: 19.3kg



BP0082



4 052792 055474

Made in China



* The specifications and pictures are subject to change without notice.
* All trade names referenced are the registered trademark of their respective owners.

Best Connectivity